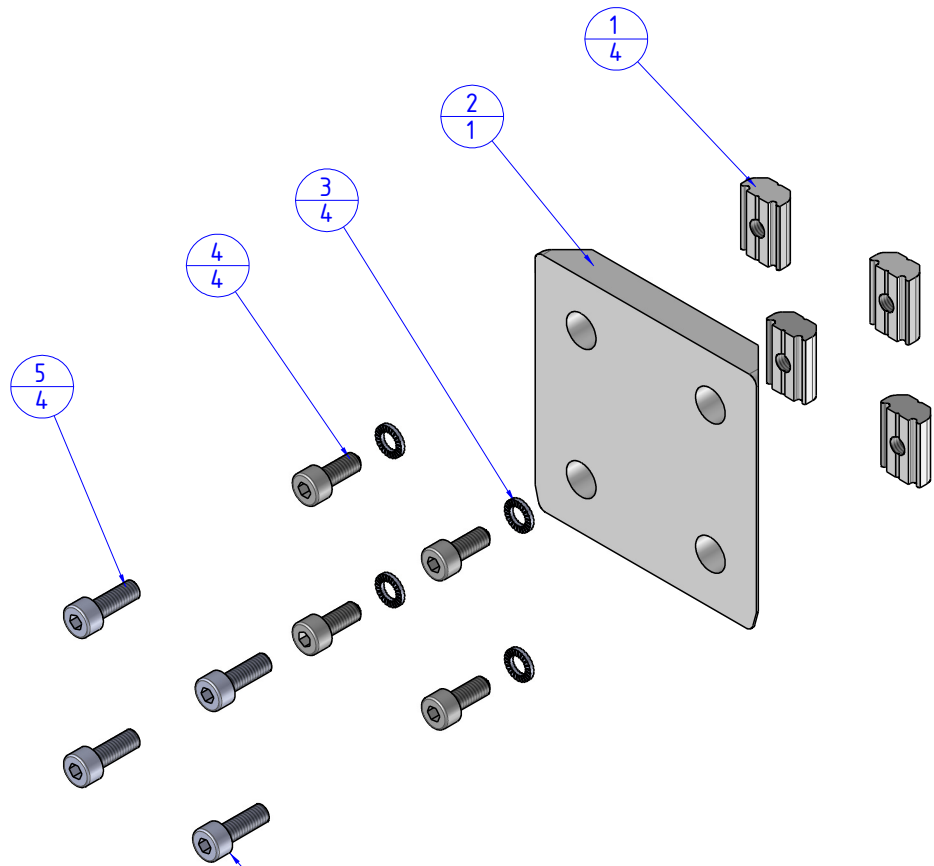
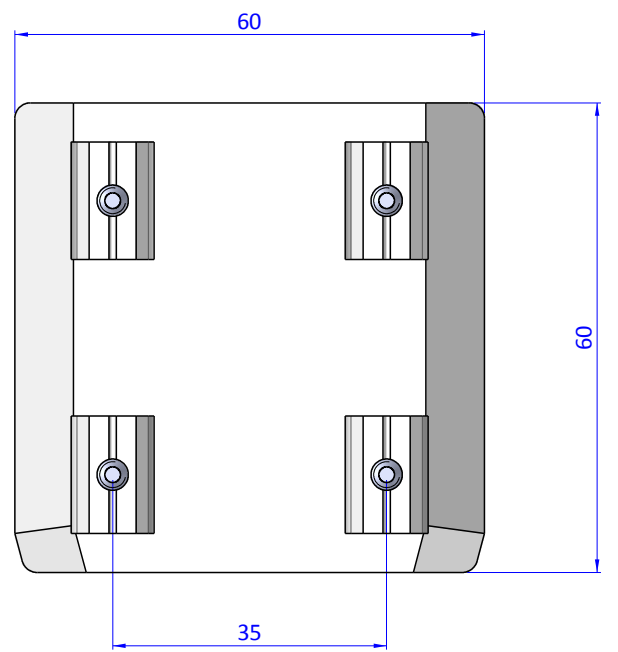
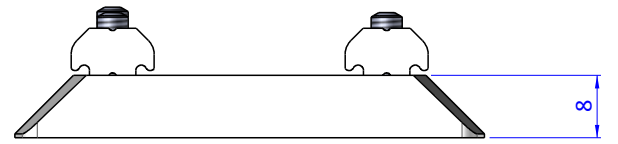


THE PROPERTY OF THE DRAWING IS ESTABLISHED BY LAW. IT IS FORBIDDEN TO PRODUCE OR SHOW IT TO THIRD PARTY, WITHOUT A WRITTEN AGREEMENT.


Item	Name	Qty.
1	CA.GWP.4U	4
2	GPM0.X	1
3	R.4.SCH	4
4	V.TCE4x10	4
5	V.TCE4x12	4



Additional screws regularly supplied in the equipment



Format A3
UNI 936-76

 FPS FPSERVICES AUTOMATION		DESIGNED FROM		REVIEW
		FPS Automation		A
GENERAL TOLERANCE		DATE	WEIGHT	
UNI - ISO 2768		10/04/2019	0,104kg	
CLASSE f		CODE		
		CA.GPM0.X		CA.GPM0.X